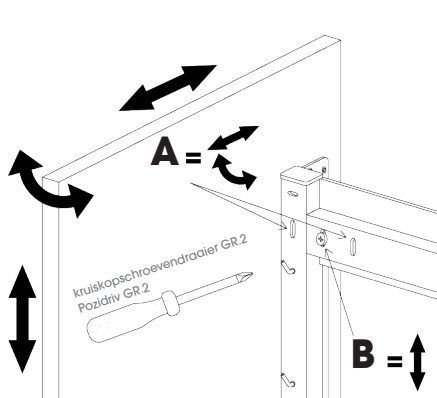
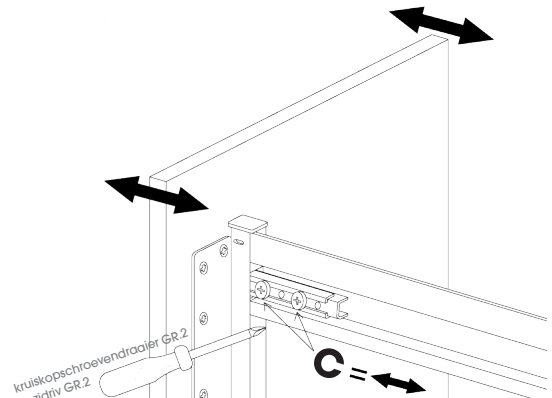


# Afstellen front Magic Corner / Adjustment of unit front panel Magic Corner



**A** = verstellen / adjusting  
**B** = fixeren & verstellen / fixing & adjusting



**C** = fixeren & verstellen / fixing & adjusting

